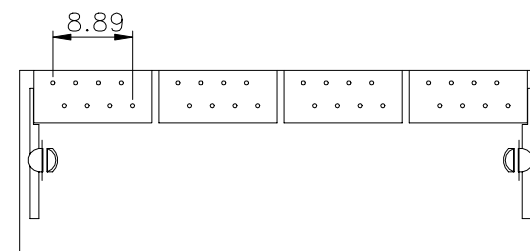
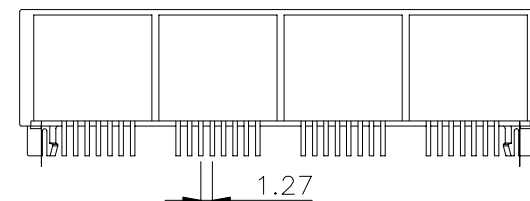
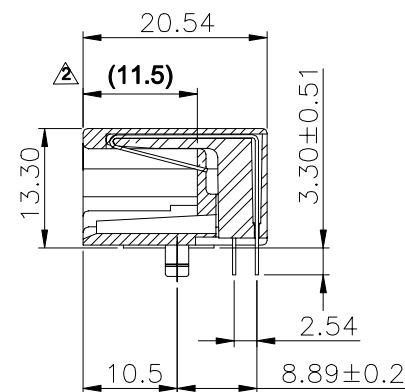
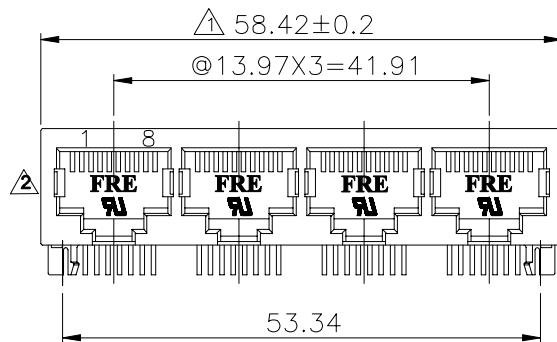


REVISION RECORD				
REV	ECO	DESCRIPTION	DRFT	CHKD
△		DRAWING MODIFY	JAMY	
			4/19/08	
△		DRAWING MODIFY	Yuan	
			08/01/06	



NOTES:

ELECTRICAL:

- VOLTAGE RATING : 125 VAC RMS.
- CURRENT RATING : 1.5 AMP.
- CONTACT RESISTANCE : 35 MILLIOHMS MAX.
- INSULATION RESISTANCE: 1000 MEGOHMS MIN @ 500 VDC.
- DIELECTRIC STRENGTH : 1000 VAC RMS 60Hz, 1MIN.

MECHANICAL:

- HOUSING MATERIAL : NYLON+G.F.30% UL94V-0.COLOR YELLOW
- CONTACT MATERIAL : PHOSPHOR BRONZE  $\phi$ 0.46mm.
- PLATING : GOLD PLATING OVER NICKEL.
- OPERATING LIFE : 750 CYCLES MIN.
- PCB RETENTION PRE-SOLDER : 1 LB MIN.
- PCB RETENTION POST-SOLDER: 10 LBS MIN.

ENVIRONMENTAL:

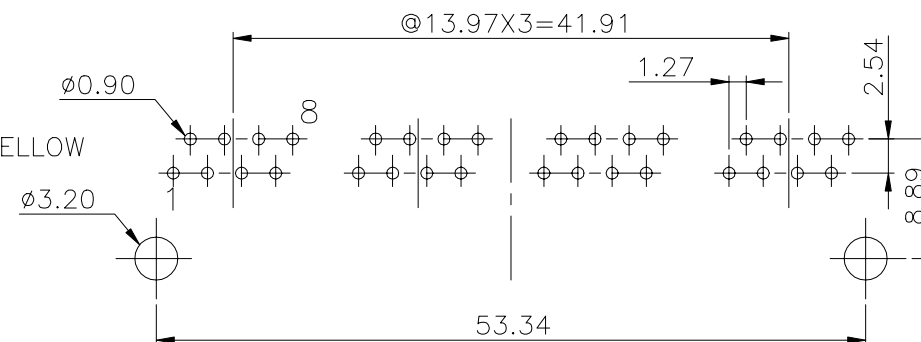
- STORAGE : -40°C TO +85°C.
- OPERATION: -40°C TO +85°C.
- WAVE SOLDERING TEMPERATURE:255°C TO 265°C(5~10 SECONDS).

**4. RoHS COMPLIANT**

MATES WITH MODULAR PLUG CONFORMING TO FCC PART 68, SUBPART F.

ROHS PART NUMBER: E5908-00CL8X-L

2- 6u" 5-50u"  
3-15u" 4-30u"



PC Board Layout Component Side Shown

MM (INCH)		DFTO JAMY	DATE 10/17/05
TOLERANCES EXCEPT AS NOTED		CHKD ANKUE	DATE 2006/8/3
		MFO	DATE
		APPV LUSHENG	DATE 2006/8/3
MATERIAL :			
ANGLES ± 0.5		QT'Y :	
THIRD ANGLE PROJECTION		FINISH :	
		SCALE : 1.5:1	

		<b>RoHS Compliant</b>	
FULL RISE ELECTRONIC CO., LTD			
TITLE			
20.57 PCB JACK 8P			
DRAWING NO. GE593266-LA		SIZE	REV
/PART NO. SEE NOTE		A3	2
DO NOT SCALE DRAWING		SHEET X	OF Y